

PRODUCT SPECIFICATION

DESCRIPTION----100W Phillip LED Flood Light



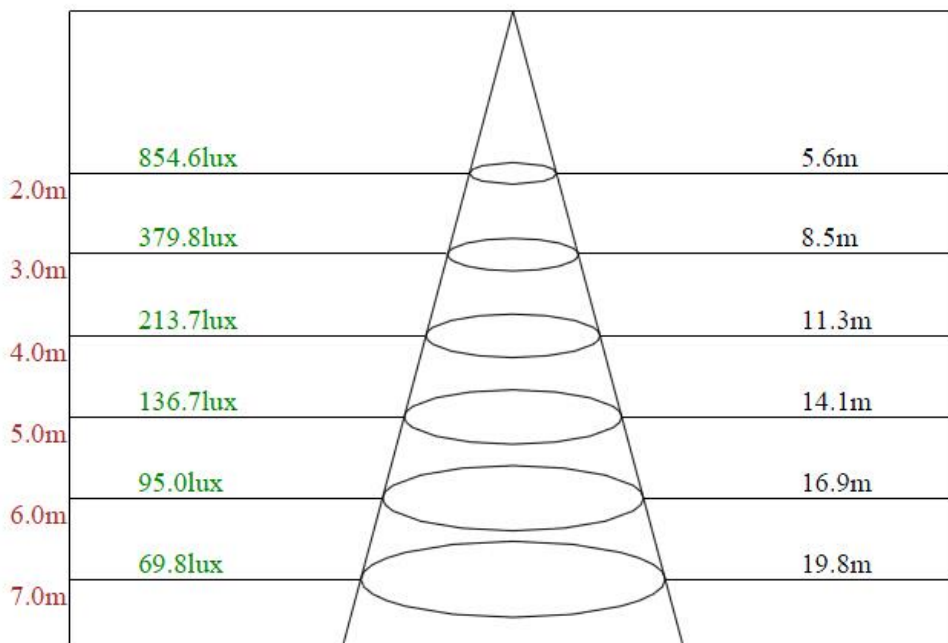
LM79
LM80



● Technical Parameter

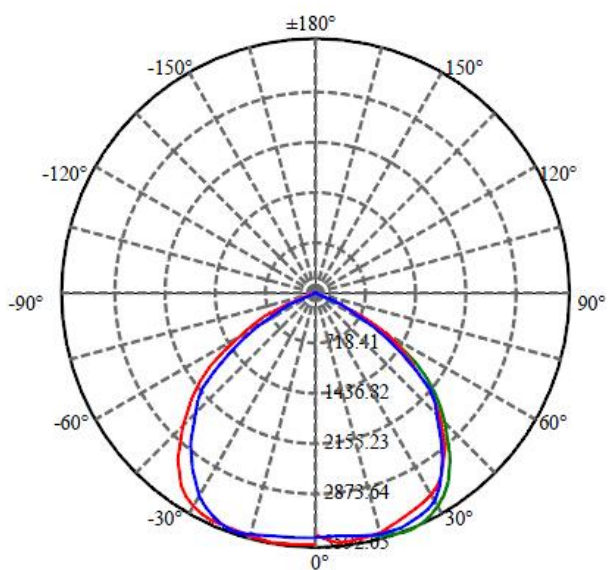
Model	GT-FL100W
Power	100W
Voltage	AC90-277V OR 347V
Working Frequency	50-60HZ
Power Efficiency	>95%
Luminous Flux	9,000LM
Power Factor	>0.90
Color Temperature	WW: 2700 - 3300K NW:4000 - 4500K CW: 5000 - 5500K
CRI	Ra >= 75
Beam Angle	130°
Working Temperature	-30 to +60 °C
IP Rate	IP65
Life-span	50,000hrs life, 5 Years Warranty

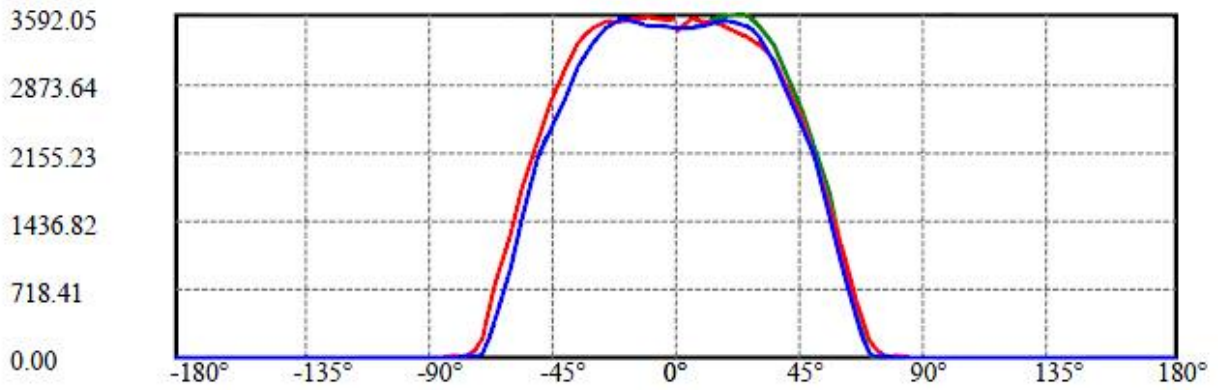
● Lux Parameter



Beam angle of C112.5plane109.33

● Light Distribution Curve [Unit:cd]





C112.5(Max):

C0/C180:

C90/C270:

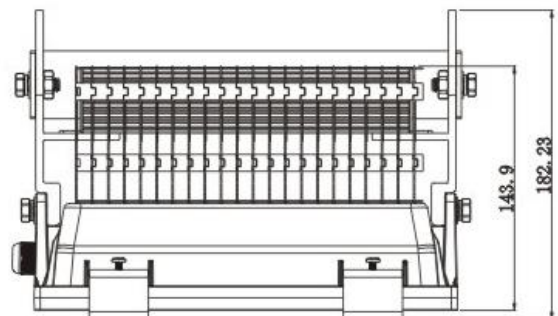
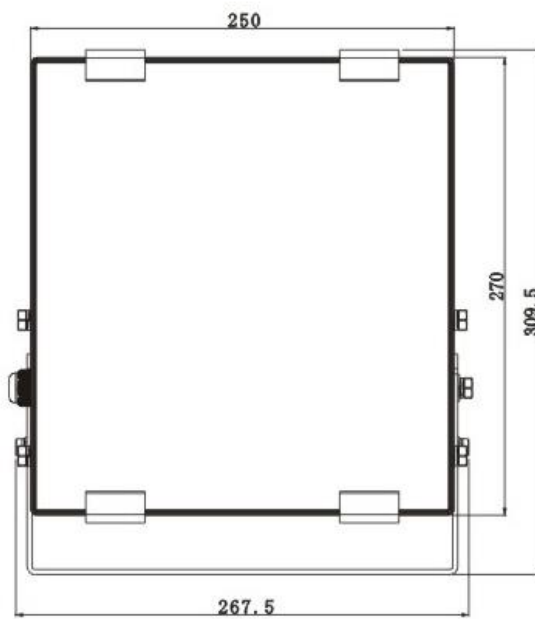
Field angle(10%Imax):C0/180Left:68.7 Right:68.0

:C90/270Left:65.8 Right:65.8

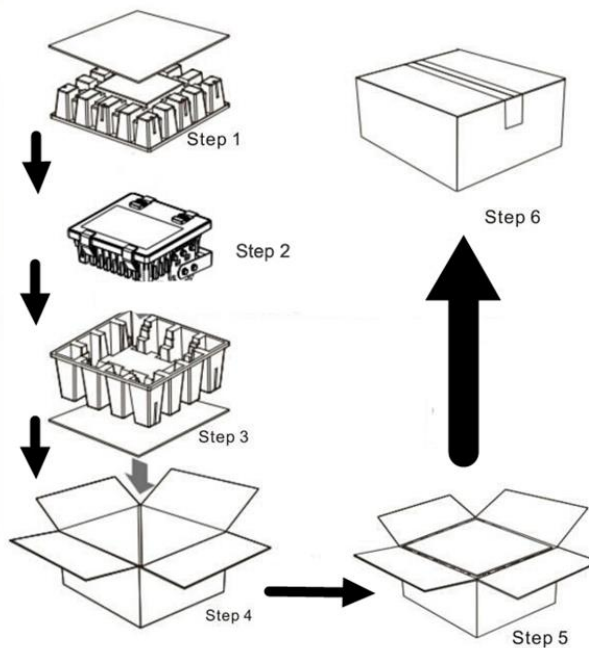
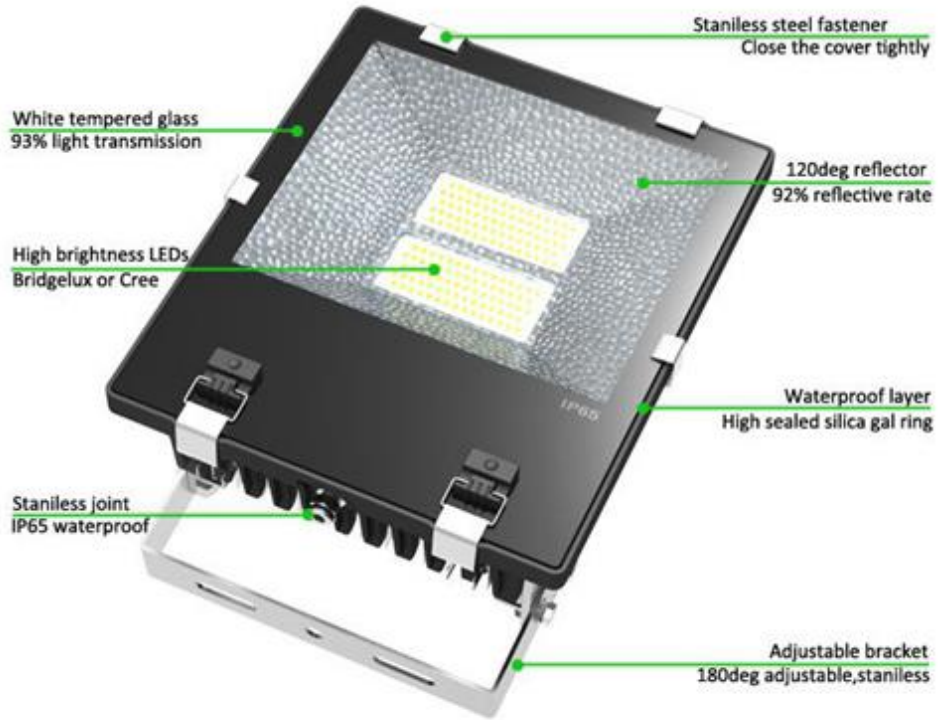
Beam Angle(50%Imax):C0/180Left:55.9 Right:53.8

:C90/270Left:53.0 Right:53.1

● Dimension



● Product Details

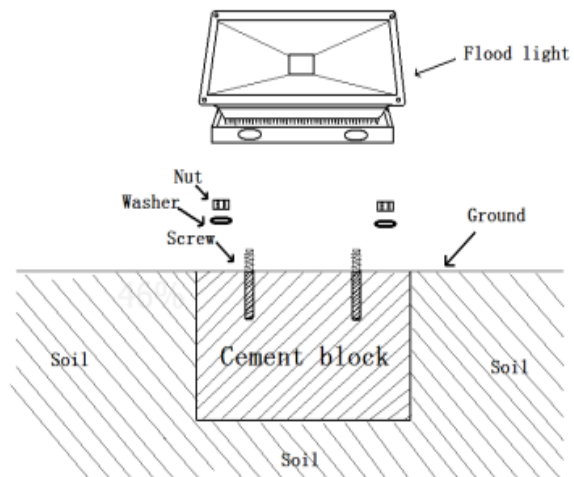
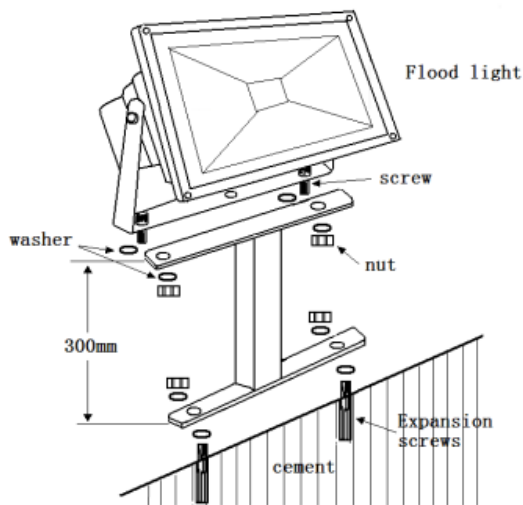


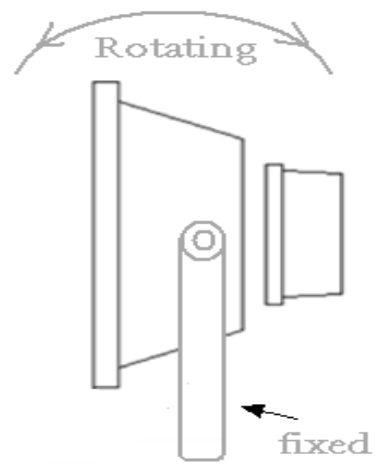
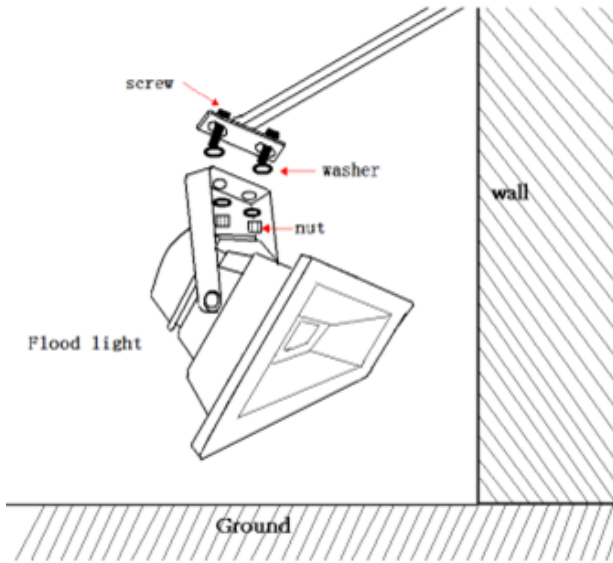
● Product Package



● Installation

- 1、 Before installation, please check the installation guide as Diagram 1, Diagram 2 and Diagram 3 shows.
- 2、 Please fix the stands of the fixtures on the mounting holes and lock the stands by screws.
- 3、 Be sure that the luminous direction is down, just like Diagram 4 shows.
- 4、 Connect (L: Black; N: White; GND: Green), According to the American connection standard.
- 5、 IP grade: IP65
- 6、 Switch on power





● Products Application Cases

