

# PRODUCT SPECIFICATION

DESCRIPTION----200W Phillip LED Flood Light



LM79  
LM80



## ● Features

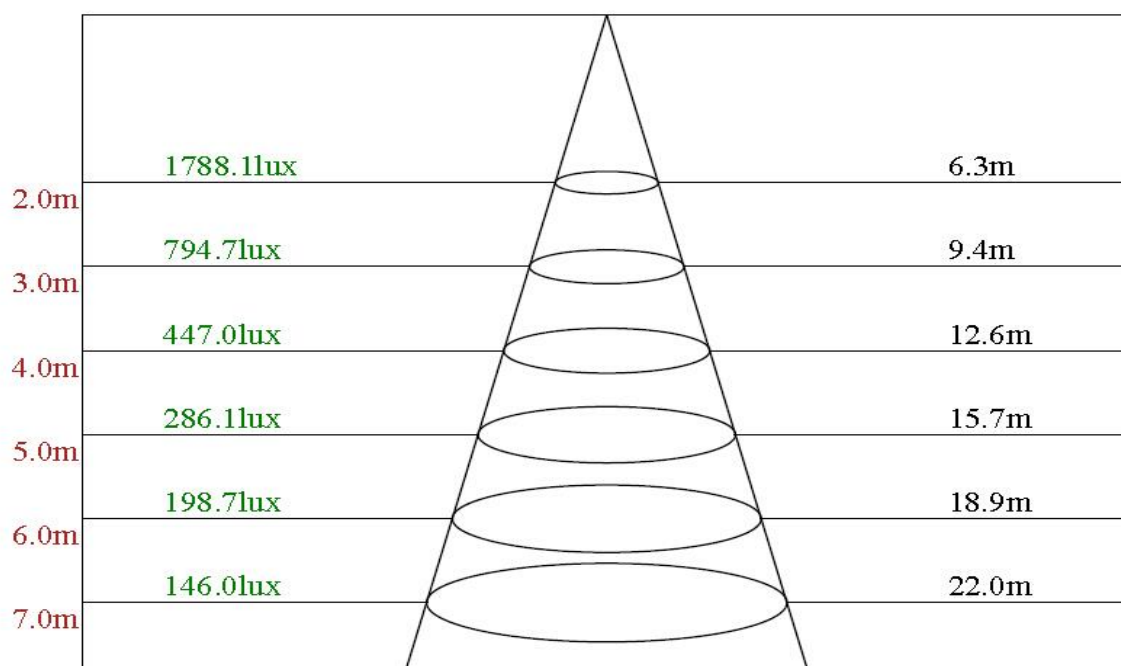


- ① **Energy-saving**  
Saving more than 80% power Energy than traditional lamps
- ② **Eco-friendly**  
No UV/IR, Safe solid Light source, No Mecury & lead.
- ③ **Easy to use**  
Instant Start , No Flicker ,Free main-tance
- ④ **Long life-span**  
More than 80,000 hours long lifespan. Low light failure.

### ● Technical Parameter

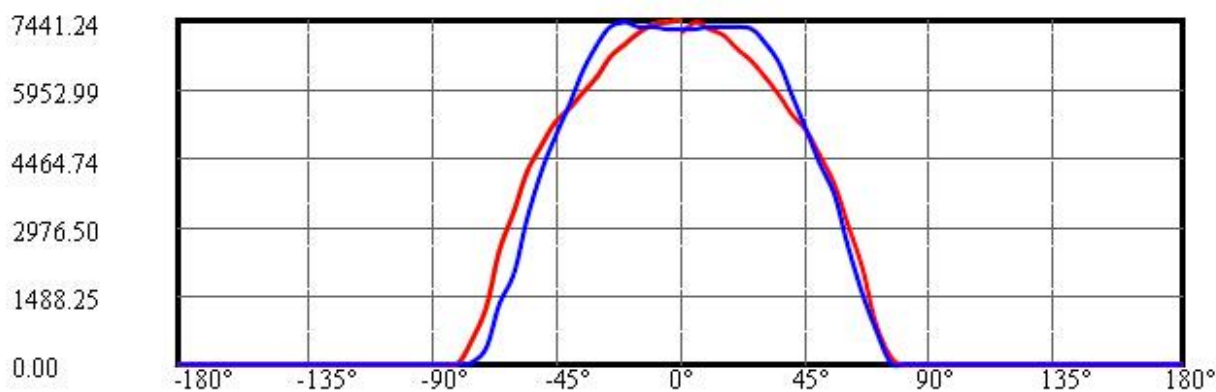
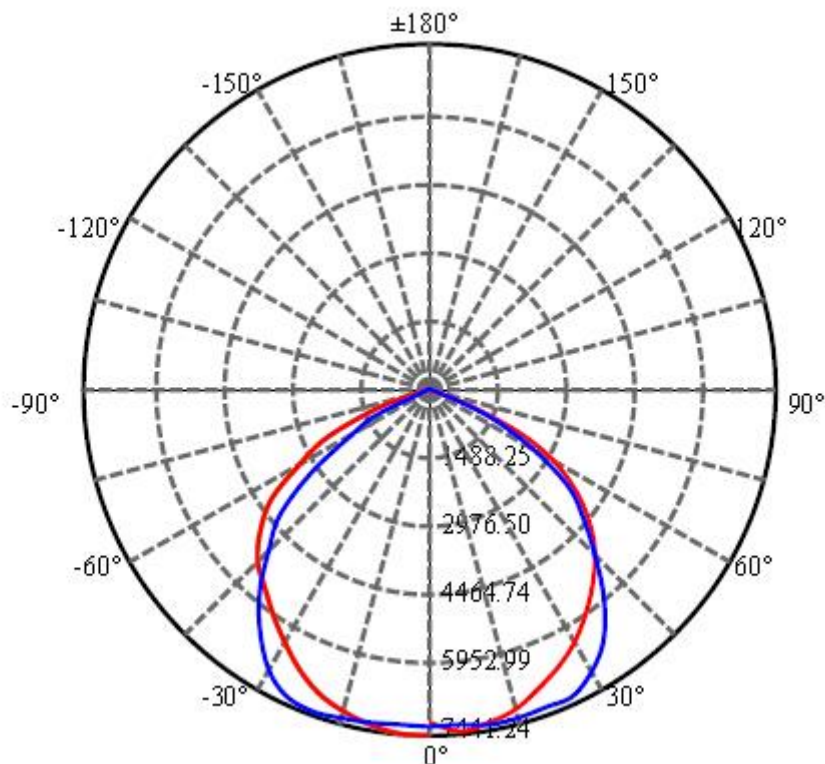
Model	GT-FL200W
Power	200W
Voltage	AC90-277V OR 347V
Working Frequency	50-60HZ
Power Efficiency	>95%
Luminous Flux	18,000W
Power Factor	>0.90
Color Temperature	WW: 2700 - 3300K    NW:4000 - 4500K    CW: 5000 - 5500K
CRI	Ra >= 75
Bean Angle	130°
Working Temperature	-30 to +60 °C
IP Rate	IP65
Life-span	50,000hrs life, 5 Years Warranty

### ● Lux Parameter



Beam angle of C180plane115.10

● Light Distribution Curve [Unit:cd]



C180(Max): ———

C0/C180: ———

C90/C270: ———

**Field angle(10%Imax):** C0/180Left:73.5 Right:71.3  
:C90/270Left:68.1 Right:70.3

**Beam Angle(50%Imax):** C0/180Left:58.4 Right:56.9  
:C90/270Left:52.7 Right:55.2

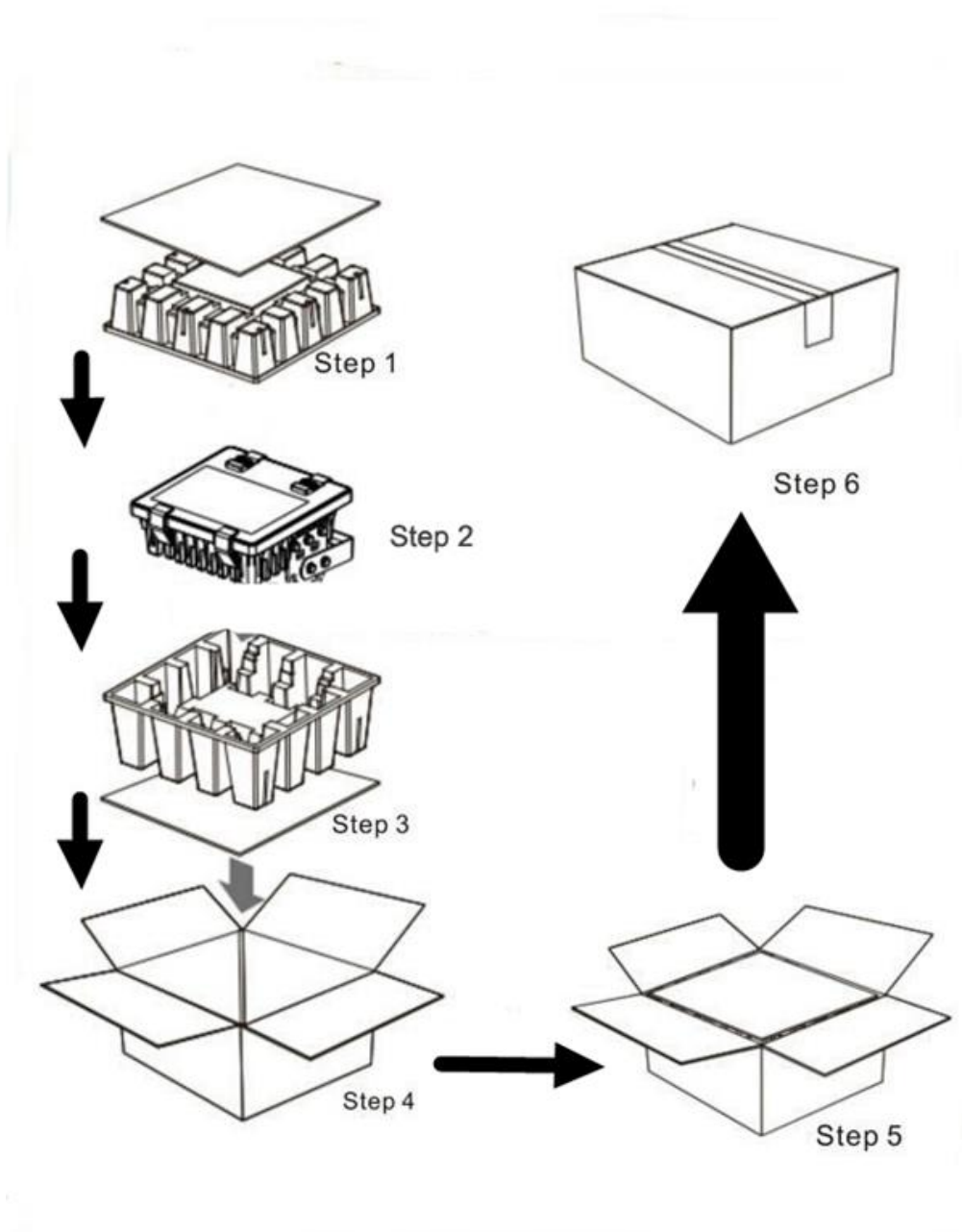
● Dimension



● Product Details

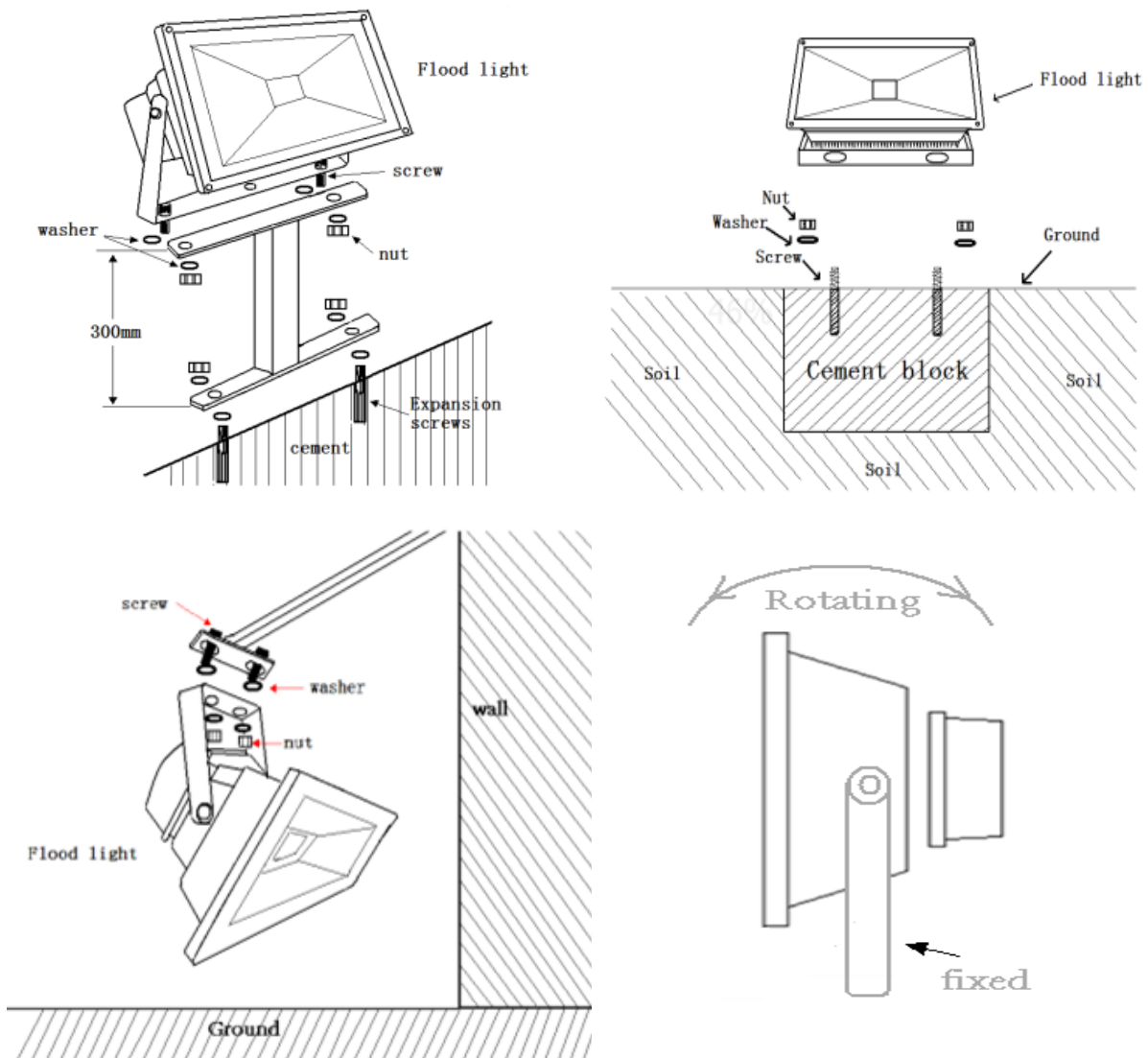


● Product Package



## ● Installation

- 1、 Before installation, please check the installation guide as Diagram1, Diagram 2 and Diagram 3 shows.
- 2、 Please fix the stands of the fixtures on the mounting holes and lock the stands by screws.
- 3、 Ensure the luminous direction is down. just like Diagram 4 shows.
- 4、 Connect ( L: Black N: White GND: Green ), According to the American connection standard.
- 5、 IP grade: IP65
- 6、 Switch on power
- 7、 Please see attached connection instruction



## ● Products Application Cases



The date mentioned in this file is for reference only, and the specific date should be subject to the specified products.

