

The Green Team's Under Canopy Light



Project Information

Type _____

Name _____

Voltage _____

Product Description

The Green Team's LED canopy light has a traditional design intended for outdoor ceiling mounted applications. Combines the latest in LED technology, including weathertight IP65 LED driver and superior thermal management. High-performance illumination that lasts 100,000HRS Ideal for replacing 100-250W HID lighting with typical energy savings of 80%.



Application

General bus station / parking garage.



Electric Characteristic

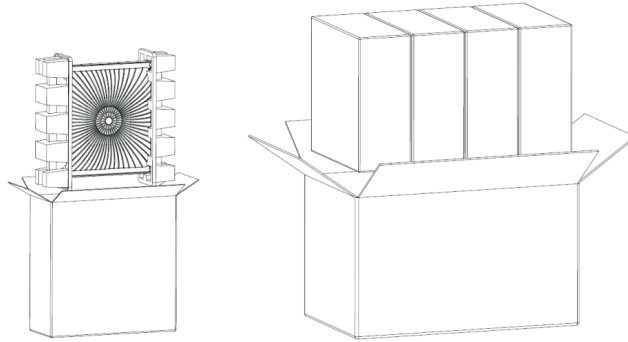
| Specification/Model | GT-UCP55W-XXK | GT-UCP75W-XXK | GT-UCP100W-XXK |
|-------------------------|---------------------------------------|------------------|------------------|
| LED Chips | PHILIPS LUXEON 3030 LED | | |
| Input power | 55W | 75W | 100W |
| Lumens output | 5800-6000LM | 7800-8800LM | 10500-11700LM |
| Efficiency | 105-115LM/W | 105-115LM/W | 105-115LM/W |
| CRI | >70Ra | | |
| Color Temperature | 4000K/5000K/5700K | | |
| Input voltage | 100-277V 50/60Hz (China Brand Driver) | | |
| Light distribution type | 150D | 160D | |
| Working temperature | -20~+45°C | | |
| Junction temperature | <75°C | | |
| lamps efficiency | ≥90% | | |
| Certificates | UL | | |
| Equivalent | 100-150W MH/HPS | 150W-200W MH/HPS | 200W-250W MH/HPS |

Ordering Information

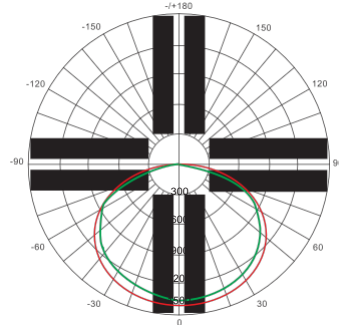
Example: GT-UCPXW-50K-N-T

| Product | Power | Replacement | Color Temperature | Photocell | Furnish |
|----------------|-------|-----------------|-------------------|-----------------|---------|
| GT-UCP55W-XXK | 55W | 100-150W MH/HPS | 40K 4000K | N not photocell | T-White |
| GT-UCP75W-XXK | 75W | 150-200W MH/HPS | 50K 5000K | | |
| GT-UCP100W-XXK | 100W | 200-250W MH/HPS | 57K 5700K | | |

PACKING



Photometrics

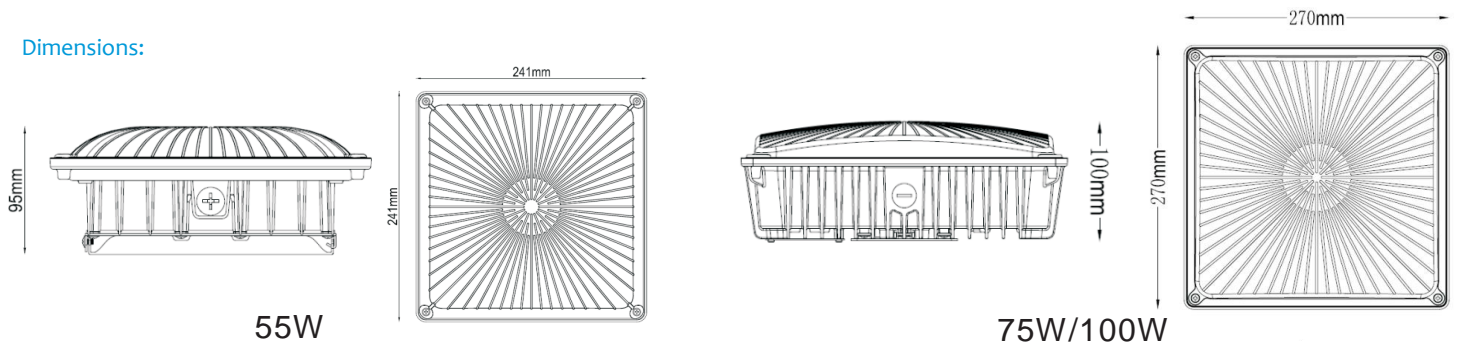


Projected LED Lumen Maintenance

| | | | |
|--------------------------|---|-------|-------|
| Operating hours | 0 | 25000 | 50000 |
| Lumen maintenance factor | 1 | 0.91 | 0.8 |

Data references the extrapolated performance projections for the Canopy Light platform in a 25°C ambient, based on 10,000 hours of LED testing (tested per IESNA LM-80-08 and projected per IESNA TM-21-11).

Dimensions:



After sale Service:

The product refers to electricians knowledge. Please don't disassemble it by yourself. If any quality problem happens, please contact the factory for warranty details.

NOTE: Actual performance may differ as a result of end-user environment and application. All values are without notice.